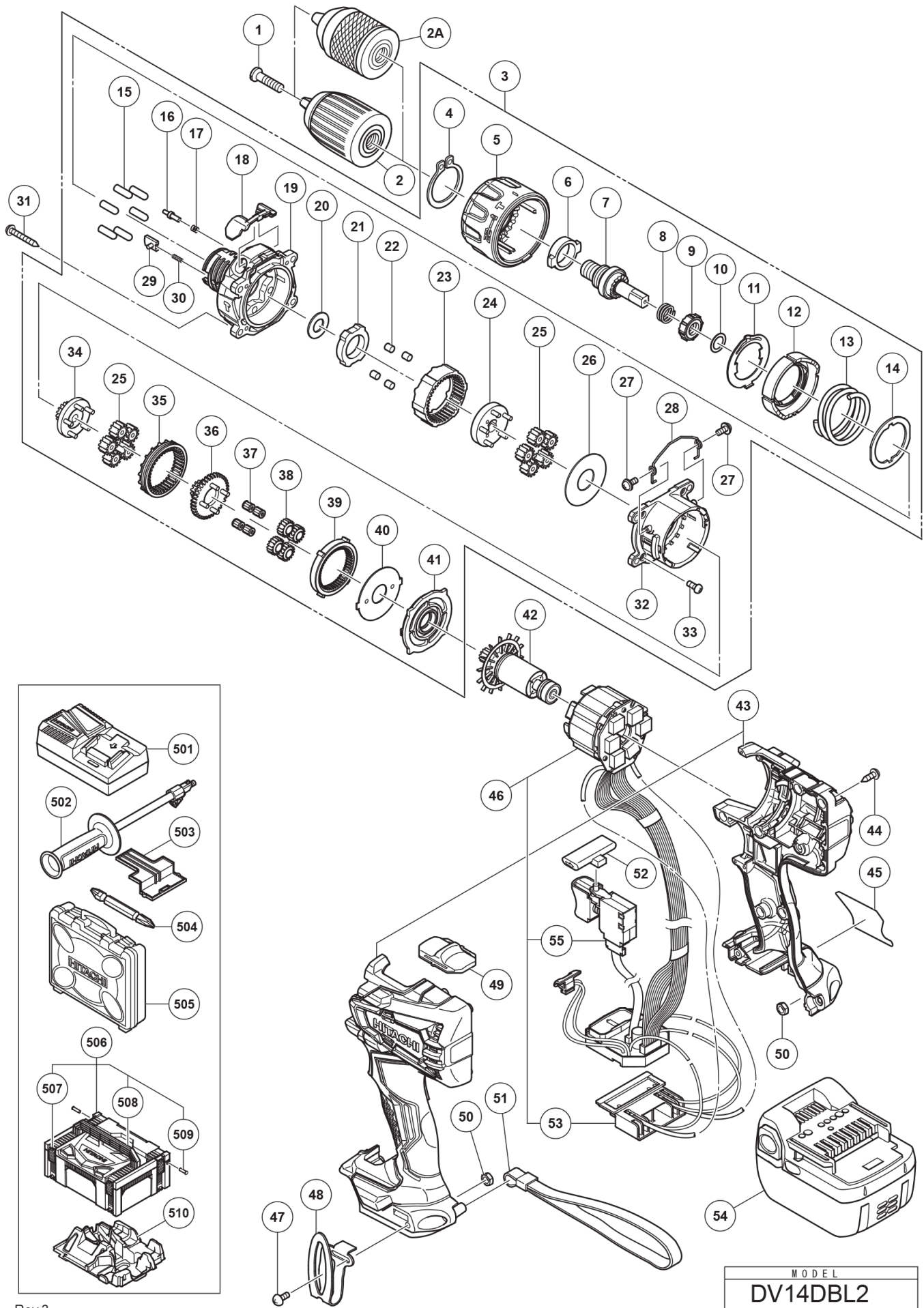


n°	Article	Quantité utilisée
*54	334727 BATTERY BSL 1430 (TPE)	2
*54	329083 BATTERY BSL 1430 (EUROPE,AUS,NZL)	2
*54	335786 BATTERY BSL 1450 (EUROPE.AUS.NZL)	2
1	995344 FLAT HD.SCREW M6X25 (A) (LEFT HAND) (NEW 744087)	1
2	339721 DRILL CHUCK 13VLRX-N (NEW 339723)	1
2A	339723 DRILL CHUCK 13VLRX-N (NEW 752065)	1
3	339737 GEAR BOX ASS'Y	1
4	339736 RETAINING RING FOR D30 SHAFT NEW	1
5	339739 CLUTCH DIAL NEW	1
6	339741 METAL NEW	1
7	339742 SPINDLE NEW	1
8	327136 SPRING (C)	1
9	339772 RATCHET (B) NEW	1
10	327147 WASHER (A)	1
11	339744 CLICK SPRING NEW	1
12	339745 NUT NEW	1
13	339746 SPRING NEW	1
14	339747 THRUST PLATE NEW	1
15	333539 PIN SET (6 PCS.)	6
16	339748 STOPPER NEW	2
17	331886 STOPPER SPRING	2
18	339749 RUBBER CAP NEW	1
19	339750 FRONT CASE NEW	1
20	328717 WASHER (B)	1
21	339752 LOCK RING NEW	1
22	319744 ROLLER	4
23	339753 RING GEAR NEW	1
24	339754 CARRIER NEW	1
25	339774 PLANET GEAR (B) SET NEW	10
26	331892 WASHER (A)	1
27	331895 SCREW SET D2 (2 PCS)	2
28	339755 SHIFT ARM NEW	1
29	339773 SLIP BLOCK NEW	2
30	327133 STOPPER SPRING	2
31	305490 TAPPING SCREW D4X30 (W/FLANGE) BLACK	4
32	339756 REAR CASE NEW	1
33	320087 SCREW SET M3X12 (4 PCS.)	4
34	339757 PINION (C) NEW	1

n°	Article	Quantité utilisée
35	339758 SLIDE RING GEAR NEW	1
36	339759 PINION (B) NEW	1
37	331926 NEEDLE BEARING SET (4 PCS.)	4
38	334441 PLANET GEAR (A) SET (4 PCS)	4
39	339760 FIRST RING GEAR NEW	1
40	339761 WASHER (B) NEW	1
41	339762 MOTOR SPACER NEW	1
42	339763 ROTOR PINION SET	1
43	339765 HOUSING (A).(B) SET	1
44	313687 TAPPING SCREW (W/FLANGE) D3X16 (BLACK)	10
45	NAME PLATE	1
46	339767 WIRING ASS'Y NEW	1
47	327001 TRUSS HD. SCREW M4 (BLACK)	1
48	332824 HOOK	1
49	334267 SHIFT KNOB (OLD 333527)	1
50	327002 LOCK NUT M4 (BLACK)	2
51	306952 STRAP (BLACK)	1
52	339768 PUSHING BUTTON	1
53	339769 BATTERY TERMINAL	1
55	370151 DC-SPEED CONTROL SWITCH	1
501	CHARGER (MODEL UC 18YFSL)	1
502	339771 SIDE HANDLE NEW	1
503	329897 BATTERY COVER	2
504	983006 + DRIVER BIT NO.2 65L	1
505	339778 CASE	1
506	336471 CASE ASS'Y (STACKABLE)	1
507	336472 LATCH	4
508	336473 HANDLE (HSC) NEW	1
509	336474 HINGE	2
510	339776 INNER TRAY DS14/18DBL2 DV14/18DBL2 HSC NEW AUG	1
601	955657 - DRIVER BIT (A) 3MMX70L	1
602	955659 - DRIVER BIT (A) 4MMX70L	1
603	955674 - DRIVER BIT (A) 6MMX70L	1
604	983004 + DRIVER BIT NO.1 65L	1
605	983011 + DRIVER BIT NO.3 65L	1
606	303709 DEPTH GAUGE	1
607	306927 SILICON RUBBER	1



MODEL
DV14DBL2